

C-Band ASE Module

Compact ASE OEM Module



The C-Band ASE Module is a member of our ASE product family which covers a variety of wavelength ranges, spectral shapes, and output powers. All are available in convenient form factors including: OEM Module and Benchtop.

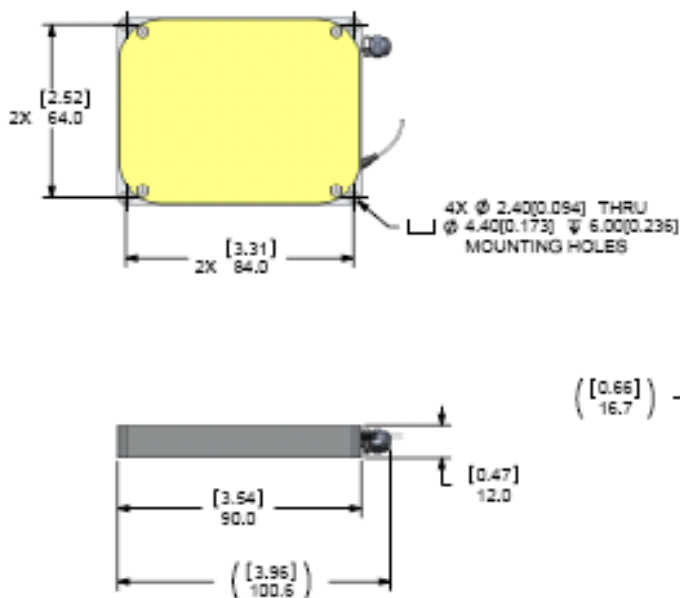
Features

- Full C-Band operation
- 7, 10, 13, 17 or 19 dBm
- Wide bandwidth
- Integrated pump laser
- Microprocessor control
- Customizable

Applications

- Sensing
- Passive components testing
- Bio-medical imaging source
- Fiber Optic Gyroscope
- Spectroscopy

Mechanical Outline:

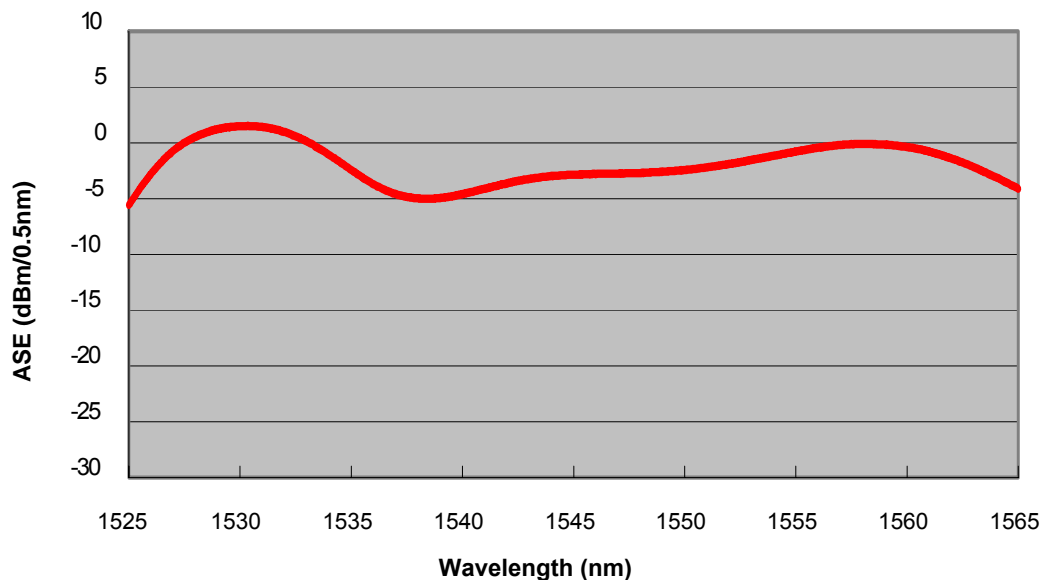


PRODUCT SPECIFICATIONS

Parameter

Wavelength Range	1525-1565 nm
Output Power	7, 10, 13, 17 or 19 dBm
Spectral Power Variation (dB)	<± 5
Output Power Stability (dB) (1hr) at fixed ° C	< 0.04dB
Output Power Stability (dB) over 0-50 ° C	± 0.2
Output Polarization (Degree of Polarization)	< 5%
Power Consumption	<8.25 W, < 3W Typical
Supply Voltage	+3.3V ±5
Supply Voltage Noise Level	<50mW pk-pk
Supply Current	2.5A Max; 1A Typical (1)
Power Supply Capacitive Load	250uF Decoupling Inside Unit
Optical Bandwidth @ 10 dB point	> 40 n
Package Dimension	90 x 70 x 12 mm

Typical Spectra:



Ordering Example: ASE-C-M-10-0-U = C-Band ASE with 10 dBm power output, FC/APC connector, Module.

ASE-C-M

—	—	—
Power	Code	Connector
7 dBm	7	FC/APC
10 dBm	10	Custom
13 dBm	13	
17 dBm	17	
19 dBm	19	
		Spectral Flatness
		Unflattened
		Flattened
		Code
		U
		F



NP Photonics C-Band ASE Module are protected by a 12-month warranty. All components and assemblies are unconditionally warranted to be free of defects in workmanship and materials for the warranty period, beginning from the date of shipment. This warranty is in lieu of all other warranties, expressed or implied, and does not cover incidental or consequential loss. This warranty does not apply to devices damaged due to operating conditions outside of the specified parameters. Modified warranties for OEM customers are available.